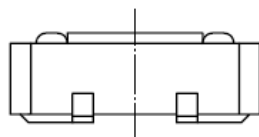
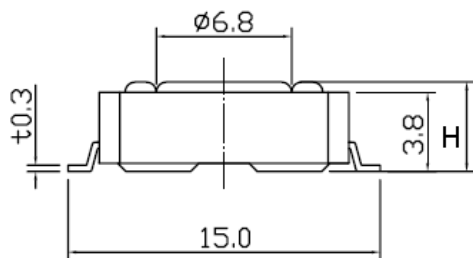
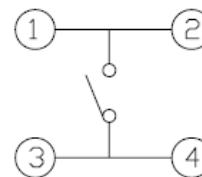


# DIMENSIONS

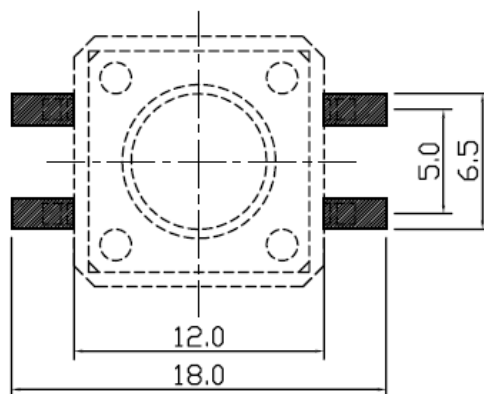
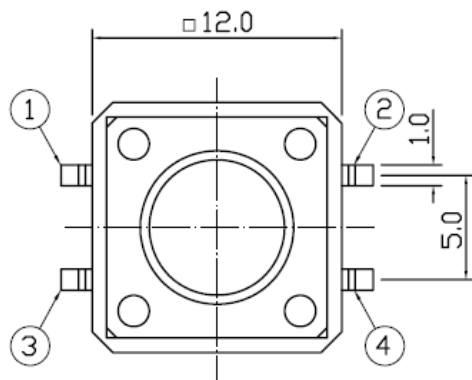


# CIRCUIT DIAGRAM



## P.C.B MOUNTING PATTERN DIMENSION

The following soldering patterns are recommended for reflow soldering



## ELECTRO-MECHANICAL CHARACTERISTICS

Refer to additional specifications

Rating	DC 12V 50mA	
Contact Resistance	100mΩ Max.	
Travel	0.25 ± 0.1mm	
Operating Force	160±30gf	250±50gf
Operating Life(cycles)	100,000	Phosphor Bronze
General Tolerance	±0.3	

TS12M-C□-S-PF	7.5
TS12M-A□-S-PF	4.3
MODEL NO.	H


 銓基電子股份有限公司  
 ROKI ELECTRONICS CO., LTD.

PART NAME : TACT SWITCH

SCALE :

PART NO : TS12M-□□-S-PF Series

UNIT : mm

TOLERANCE : ±0.3 mm



VER : R02